



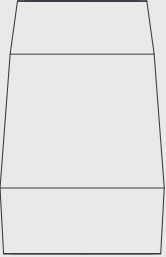





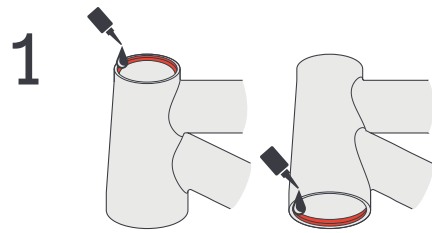


angle headset

manual and product information

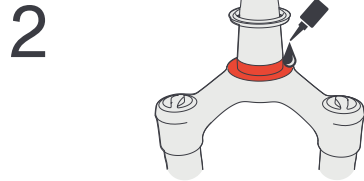
www.acros-components.com

-  headset cover
-  compression ring
-  angular contact bearing
-  angle cup
-  bike frame head tube
-  angle cup
-  angular contact bearing
-  base plate



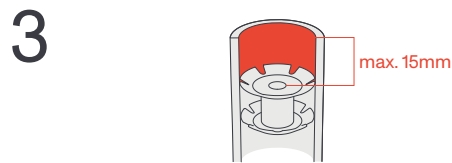
1 clean and grease

Clean the bearing seats and then apply a thin layer of grease.



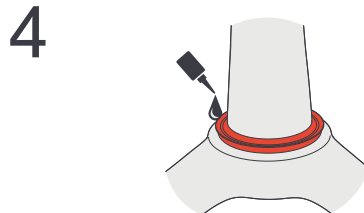
2 assemble base plate

Clean the fork steerer at the lower end and apply a thin layer of grease. Then guide the base plate with the bevel pointing upwards on the steerer tube.



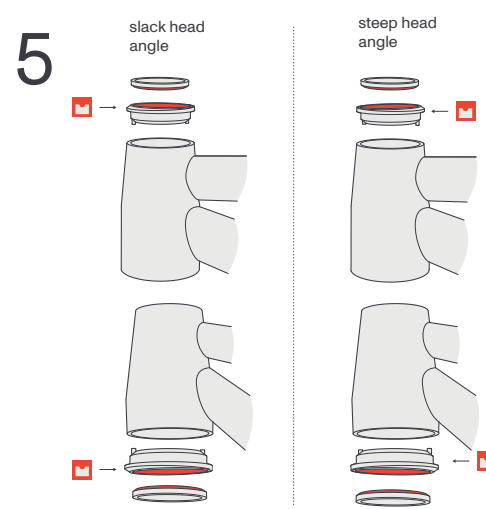
3 mount base plate

Tap the base plate in place with a suitable tool. You are finished as soon as the base plate sits flat on the fork crown.




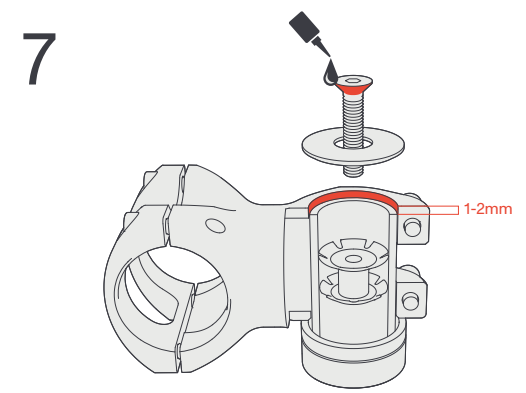
4 grease base plate

Then generously coat the base plate with grease before you install the fork.



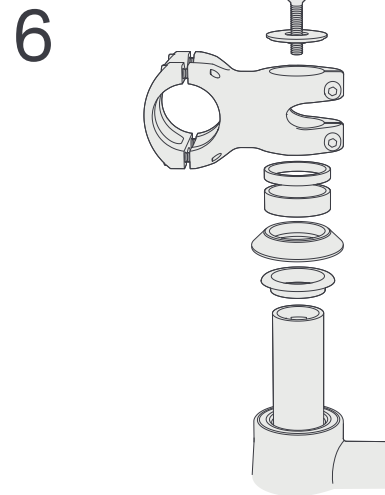
5 insert angle cup

Apply a thin layer of grease to the insides of the bearing cups and then insert the bearings with the phase facing the cup. Then put the bearing cups together with the bearings in the frame. **Important:** The markings  on the bearing cups must point in the same direction. You can find a detailed explanation on the back of this manual.



7 adjust headset play

Now place the top cap on the stem, grease the head of the adjusting screw and turn it clockwise into the star nut. Tighten the screw only with 1.0 Newton meter. The stem screws must not be tightened at this point. Now pull the front brake with one hand. With the other hand grasp the head tube and the headset cover and move the bike back and forth. If you can feel play, tighten the adjusting screw slightly more. Repeat this process until you can't feel any play. Then align the stem correctly and tighten it according to the manufacturer's instructions.



6 mount the fork

Guide the fork from below through the head tube until the base plate rests against the headset. Hold the fork in position and guide all other components onto the fork cone: centering ring, headset cover, spacer, stem. There must be 1-2 millimeters space between the upper edge of the steerer tube and the stem to preload the headset in the next step.

Non-observance of the advice given in this manual can cause accidents resulting in death or serious injury.

Read this manual carefully before performing any necessary assembly and maintenance work. It is essential to read and observe all assembly and maintenance instructions, including those given in the manuals of other manufacturers whose products are used on your bicycle (frame, fork, stem etc.). Ensure that all other users of your bicycle carefully read this manual and observe the instructions.

intended use

Any use differing from the intended one can cause accidents resulting in death or serious injury.

important safety information

If not properly performed, assembly and maintenance work can cause accidents resulting in death or serious injury.

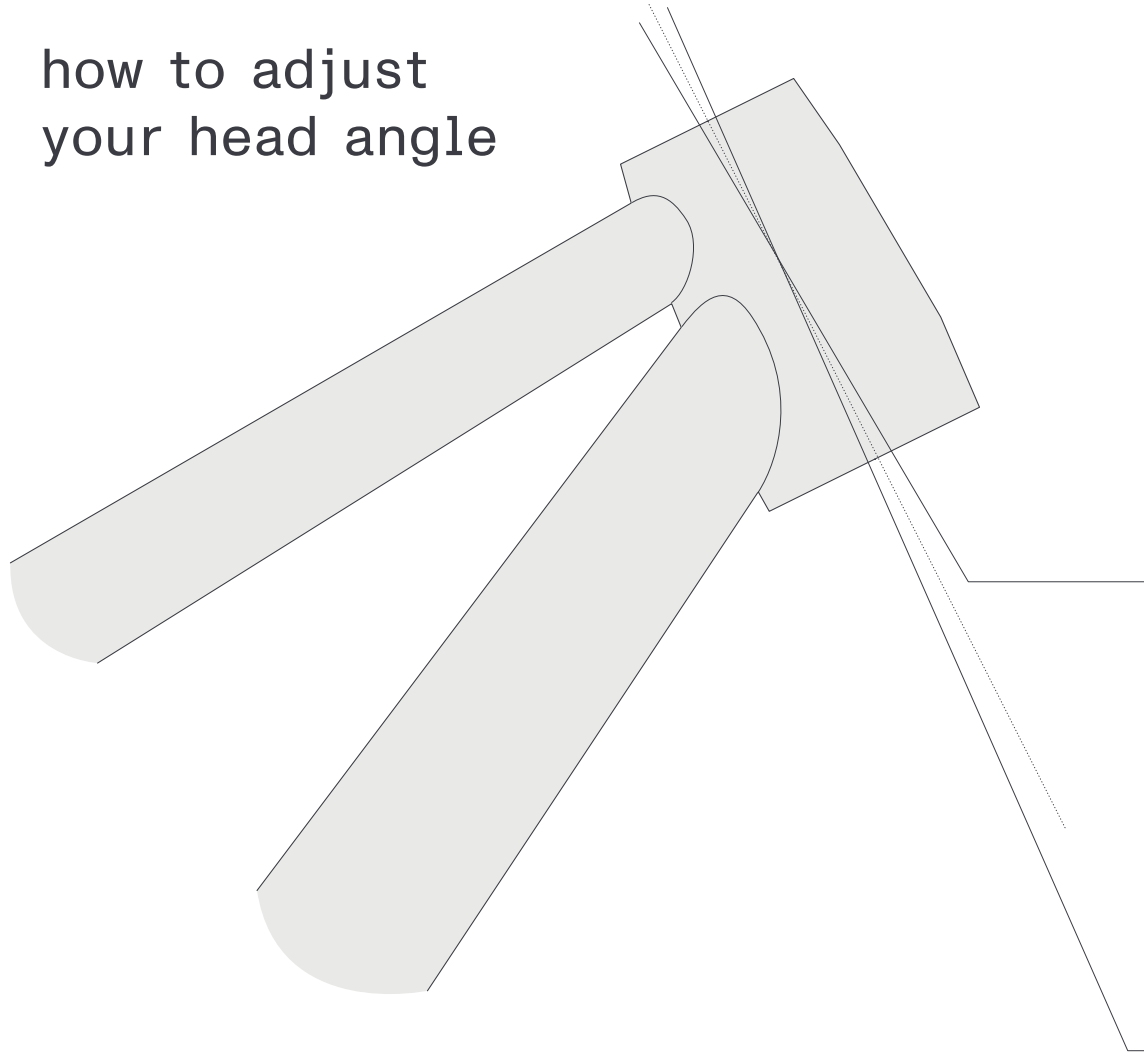
- Do not overestimate your technical ability. All assembly and maintenance work shall be performed by a specialist workshop for bicycles. This is the only guarantee of having this work done in a professional way.
- Use only acros genuine parts.
- Always keep your bicycle in a faultless technical state.

Danger of accident through a wrong riding mode.


- Use only the range of application for which your acros product is designed for.
- When riding your bicycle you should always wear a new cycling helmet of good quality (e.g. ANSI certified). Your clothing should be close fitting, but not uncomfortable. For special types of use (e.g. downhill) appropriate protective clothing is indispensable.
- Only ride your bicycle when you are in good physical condition.
- Don't jump with your bicycle – the forces created by such manoeuvres are enormous and frequently cause serious accidents, which can result in death.

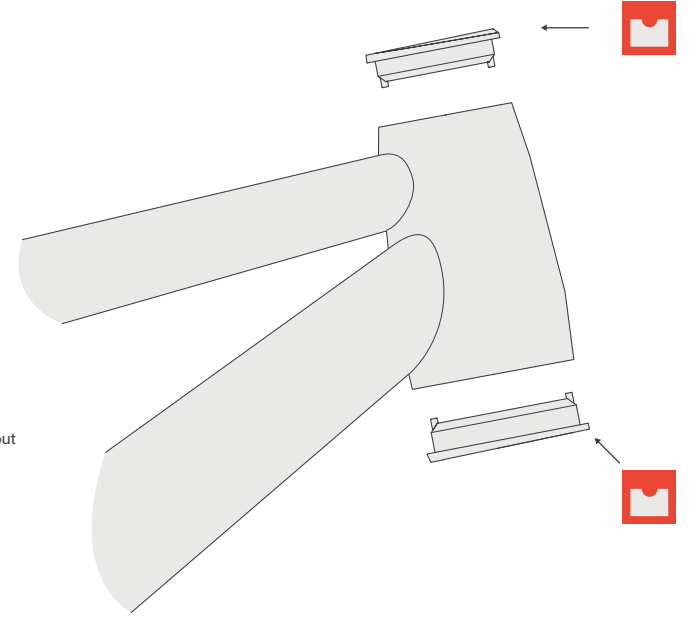
You should also rely on your common sense and avoid any unreasonable behaviour!

how to adjust your head angle




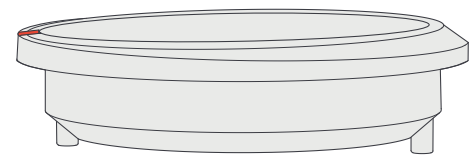
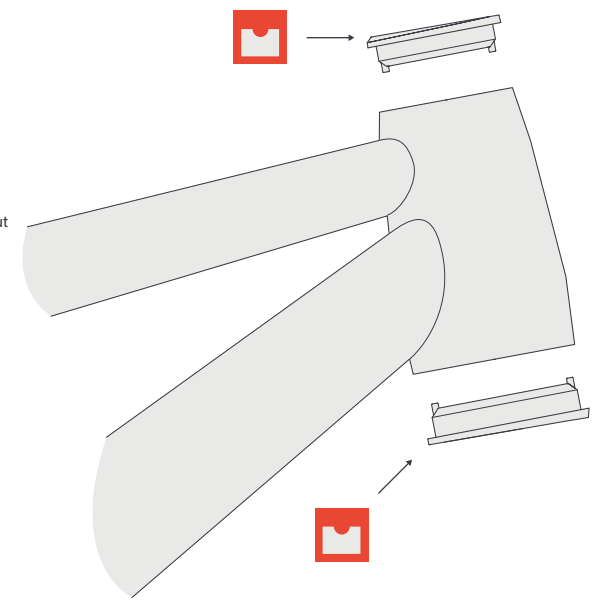
slack head angle


To set up your bike with the slacker head angle, put in both angle cups with the markings  in the direction of travel.



steep head angle

To set up your bike with the steeper head angle, put in both angle cups with the markings  against the direction of travel.



Each of our bearing cups has a notch that serves as a marking for setting your head angle. It is important that you install the bearing cups only as shown in the instructions: with the markings  pointing in the same direction.